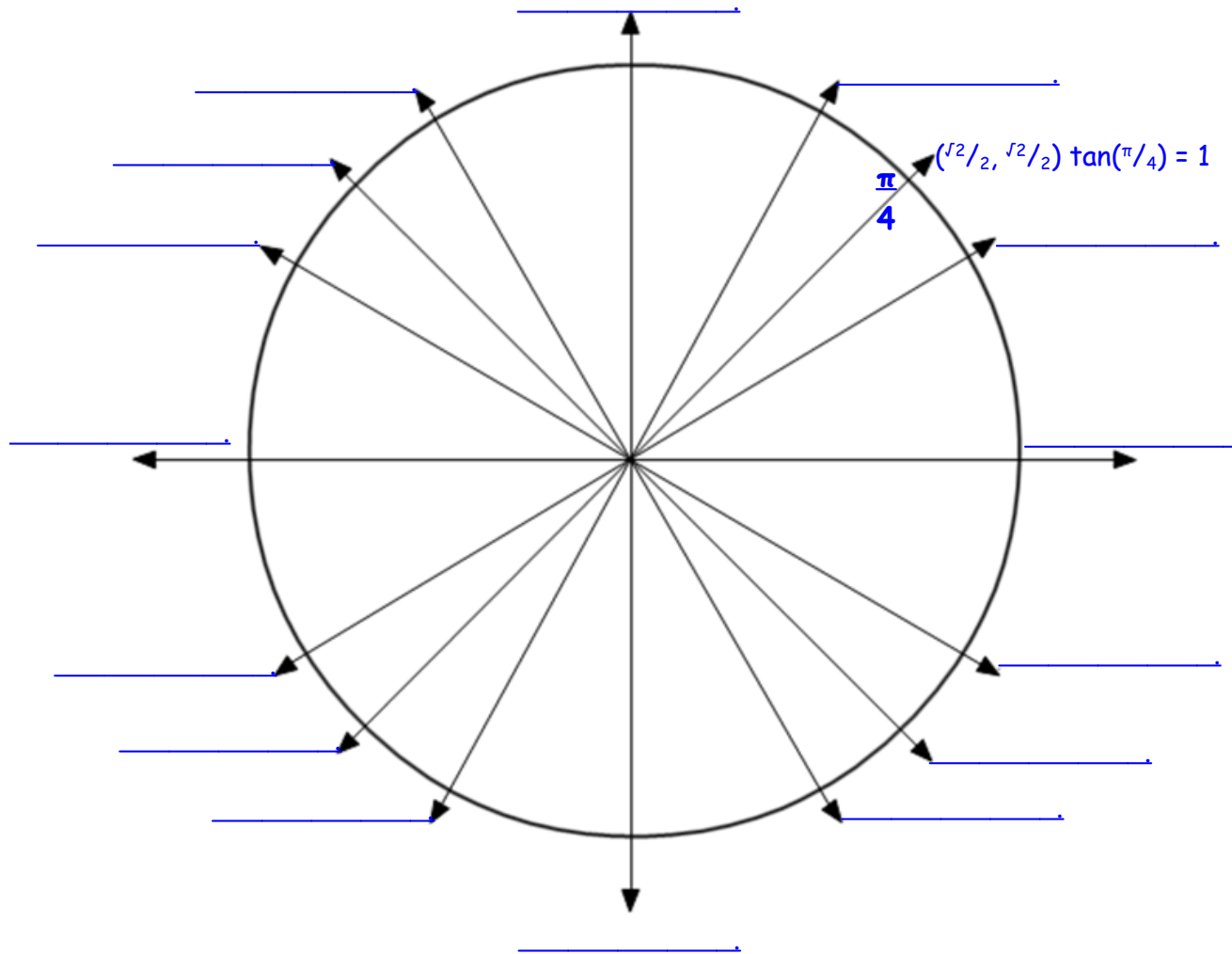
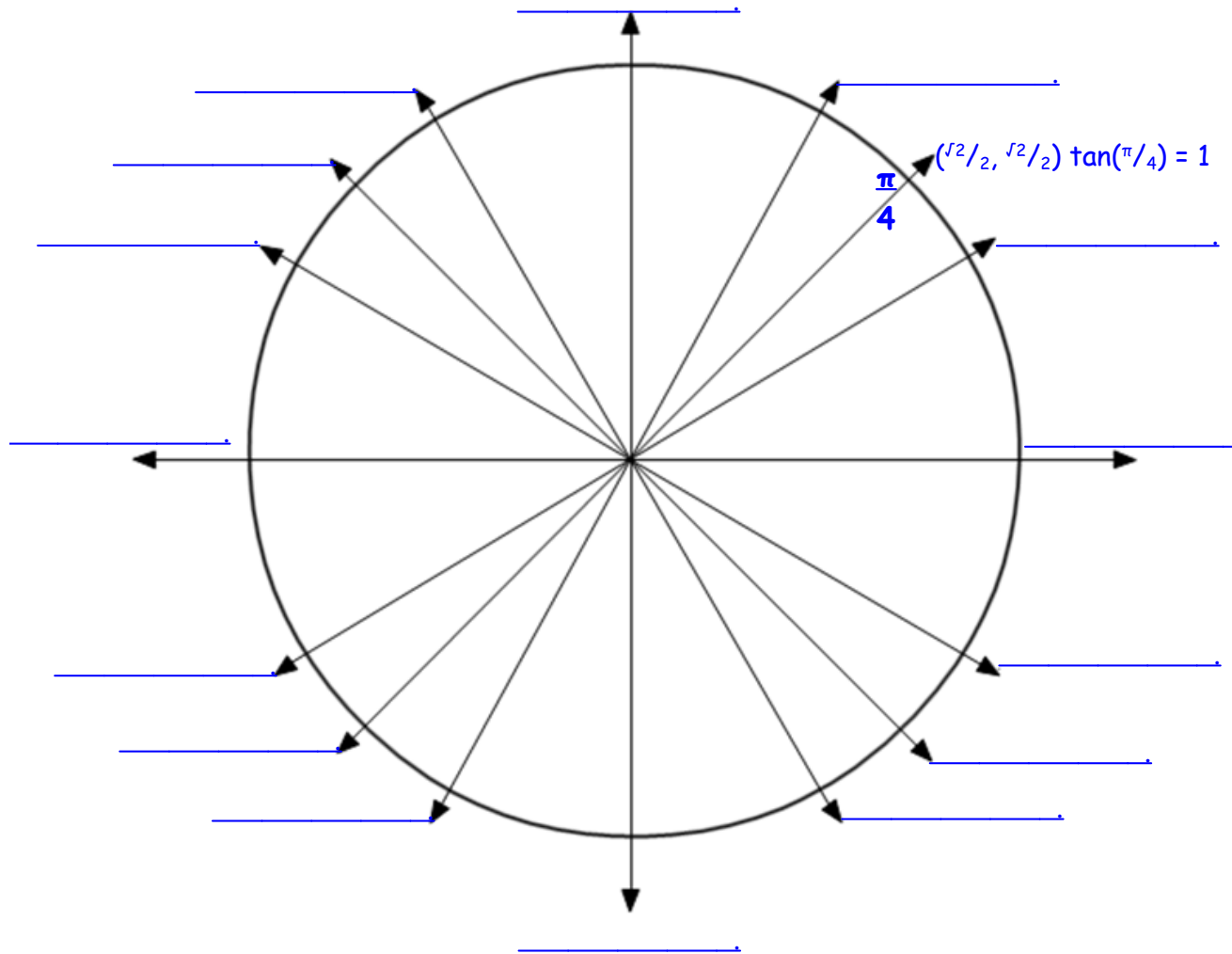


Label the terminal ray of each angle in standard position shown on the unit circle with its radian measure, its cosine and sine values as a coordinate pair of exact values and its exact tangent value (no rounded decimals), as shown by the example:



No Calculator

Label the terminal ray of each angle in standard position shown on the unit circle with its radian measure, its cosine and sine values as a coordinate pair of exact values and its exact tangent value (no rounded decimals), as shown by the example:



No Calculator